

## 4.5 cu. ft. Front Load Washer

- 4.5 cu. ft. Ultra Large Capacity
- TurboWash® 360° Technology
- AI Fabric Sensor/ Smart Pairing™
- Tempered Glass Door
- 25 Cycles / 15 Options
- Allergiene™ Cycle
- ColdWash™ Option
- Direct Drive Motor (10-Year Limited Warranty)
- NeveRust™ Stainless Steel Tub
- LG ThinQ® Technology (Wi-Fi)



### COLOR AVAILABILITY

WM5500HVA – Graphite Steel

WM5500HWA – White

### CAPACITY & MATCHING DRYERS

Capacity (cu. ft.)	4.5
Matching Electric Dryer	DLEX5500V, DLEX5500W
Matching Gas Dryer	DLGX5501V, DLGX5501W

### APPEARANCE

Electronic Controls with LCD Display	Yes
Hard Buttons	Yes (On/Off and Pause)
Touch Buttons	Yes
Dial-A-Cycle™	Yes

### ENERGY & WATER

ENERGY STAR® Certified	Yes, Most Efficient
CEE Qualified	Tier 2
Integrated Modified Energy Factor (IMEF)	2.92
Integrated Water Factor (IWF)	3.0

### WASH CYCLES

Number of Cycles	25
Wash Cycles	Normal, AI Wash, Bedding, Delicates, Towels, Quick Wash, Heavy Duty, Allergiene®, Perm. Press, Tub Clean, Bright Whites™, Sanitary, Rinse+Spin, Spin Only, Hand/Wool, Active Wear, Swimwear, Kids Wear, Jeans, Dresses, Color Care, Sweat Stains, Small Load, Large Load, X Large Load

### WASH OPTIONS

Number of Options	15
Options	TurboWash®, Steam, Fresh Care, Pre-wash, Remote Start, Delay Wash, Wi-Fi, Add Item, Extra Rinse, Control Lock, Drum Light, Cold Wash, Signal, Cycle List Edit, Cycle Optimization

### WASH DETAILS

Internal Heater	Yes
Number of Wash / Rinse Temps	5
Wash / Rinse Temps	Extra Hot, Hot, Warm, Cold, Tap Cold
Number of Spin Speeds	5
Spin Speeds	Extra High, High, Medium, Low, No Spin
Max RPM	1,300
Water Levels	Load Sensing
Number of Soil Levels	5
AAFA Certified	Yes

### FABRIC CARE

AI DD™	Yes
Wash Technology	TurboWash® 360
Steam Technology	Yes
Allergiene™ Cycle	Yes
Sanitary Cycle	Yes
ColdWash™ Option	Yes
AI Fabric Sensor	Yes
Soil Level Sensor	No

### CONVENIENCE

Vibration Sensing (Cabinet Vibration Sensor)	Yes
TrueBalance™ Anti-Vibration System	Yes
Dispenser Type	4-Tray (Prewash, Main Wash with Liquid Detergent Cup, Bleach, Fabric Softener)
Drum Light	Yes
End of Cycle Signal	Yes
LoadSense	Yes
Control Lock	Yes
Auto Suds Removal	Yes
4 Adjustable Leveling Legs	Yes
ADA Compliant	No

## SMART FEATURES

Wi-Fi Enabled	Yes
ThinQ® Technology	Yes
ThinQ Care	Yes
Voice Control	Google Assistant, Amazon Alexa
SmartDiagnosis™	Yes
Remote Start (On / Off)	Yes
Remote Monitoring & Notifications	Yes
Energy Monitoring	Yes
Tub Clean Coach	Yes

## MOTOR AND AGITATOR

Motor Type	Inverter Direct Drive Motor
Axis	Horizontal

## MATERIALS AND FINISHES

NeveRust™ Stainless Steel Drum	Yes
Cabinet	Painted Steel
Control Panel	Painted Steel
Top Plate	Painted Steel
Door / Rim	Glass / STS Silver
Door Cover	Tempered Glass Door

## TECHNICAL SPECS

Electrical Requirements	120V, 60 Hz, 10 Amps
Type	Electric
Power Outlet Location	Within 60" of Either Side
Plug Type	3-Prong (Cord Attached to Unit)
Min. / Max. Water Pressure	20 - 120 psi

## INCLUDED ACCESSORIES

Drain Hose, Non-Skid Pads, Hole Caps, Wrench, Tie Strap, Elbow Bracket (for Securing Drain Hose)

## OPTIONAL ACCESSORIES

Pedestal	WDP6V, WDP6W
Pedestal (W x H x D)	27" x 13 5/8" x 28" (43 7/8" D with Door Open)
ADA-Compliant Pedestal Riser	WDPS2W
ADA-Compliant Pedestal Riser (W x H x D)	27" x 5 1/8" x 27"
LG Sidekick™ Pedestal Washer	WD300CV, WD300CW
LG Sidekick™ Pedestal Washer (W x H x D)	27" x 14 1/8" x 30 3/4" (50 1/2" D with Drawer Open)
Stacking Kit	KSTK4

## DIMENSIONS

Product (W x H x D)	27" x 39" x 30 1/4"
Depth with Door Open	55"
Cutout Dimensions (W x H x D)	29" x 39 1/4" x 34 1/4"
Carton Dimensions (W x H x D)	29 1/2" x 42 1/8" x 31 1/2"
Approx. Weight (Product / Carton)	200.8 lbs. / 214.4 lbs.

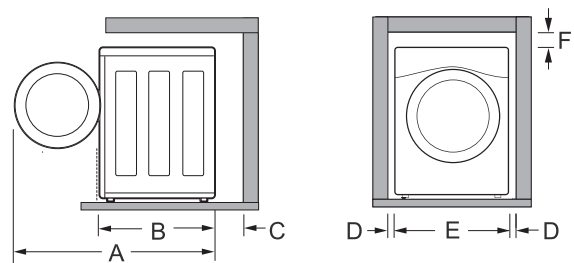
## LIMITED WARRANTY

Parts and Labor	1 Year
Direct Drive Motor	10 Years (Parts Only)
Drum	3 Years (Parts Only)

## DIMENSIONS / CLEARANCES

### FLOOR INSTALLATION

To ensure sufficient clearance for water inlet hoses, drain hose and airflow, allow minimum clearances of at least 1 inch (2.5 cm) at the sides and 4 inches (10 cm) behind the washer. Be sure to allow for wall, door, or floor moldings that may increase the required clearances.

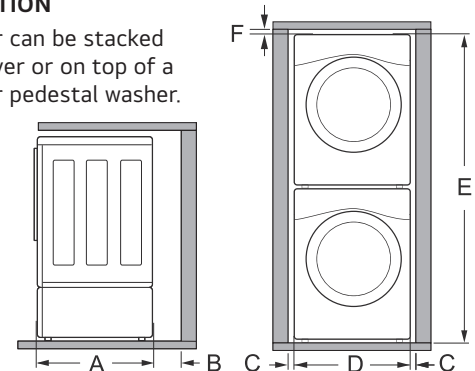


## DIMENSIONS / CLEARANCES

A	55" (139.6 cm)
B	30 1/4" (77 cm)
C	4" (10 cm)
D	1" (2.5 cm)
E	27" (70 cm)
F	1/4" (0.5 cm)

### STACKING OR PEDESTAL INSTALLATION

The washer can be stacked under a dryer or on top of a pedestal or pedestal washer.



## DIMENSIONS / CLEARANCES

A	30 1/4" (77 cm)
B	4" (10 cm)
C	1" (2.5 cm)
D	27" (70 cm)
E	77 1/2" (196.8 cm)
F	1/4" (0.5 cm)